



8680



8681



8682

IP65 low cost pH pen 8680/8681/8682

- Clear LCD with dual display
- pH/ Temperature dual display
- Measuring stability indicator
- One touch auto-calibration up to 3 points
- Calibration values are adjustable
- Cap to keep sensor wet & last life time



20 mins
Auto Power Off



ATC
Auto Temp. Compensation



Metric/
Imperial



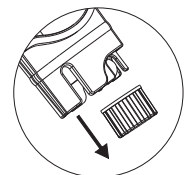
Low
Battery



HOLD



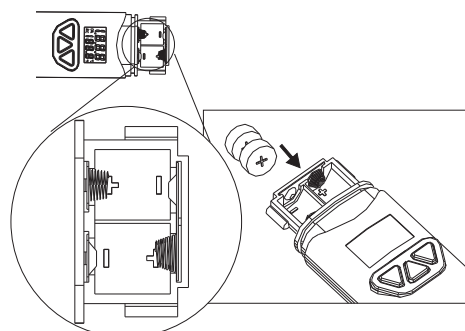
IP65



SENSOR
PROTECTION
CAP

Model	8680	8681	8682
pH range	2.0~12.0	0.0~14.0	0.00~14.00
pH accuracy	+/-0.3	+/-0.2	+/-0.05
pH resolution	0.1	0.1	0.01
Temp. range	N/A	0~60.0°C	0~60.0°C
Temp. accuracy	N/A	+/-1°C	+/-0.5°C
Temp. resolution	N/A	0.5	0.1
ATC	N/A	ATC	ATC
LCD size	9(H)x20(W)mm		11(H)x20(W)mm
Operating temp.	0~50°C		
Operating RH%	Humidity<80%		
Storage temp.	-10~50°C		
Storage RH%	Humidity < 90%		
Sensor life time	>6 months (with good maintenance)		
Dimension	151(L)x36(W)x24(H)mm		
Weight	100g		
Battery	LR44 x 4pcs		
Optional	N/A		
Standard Package	Meter/Battery/Manual/Paper box		

Install the battery with correct polarity:



Ordering Code

VZ8680AZ, 8680 pH pen
VZ8681AZ, 8681 pH pen
VZ8682AZ, 8682 pH pen