

NEW



Glass
8693

Sharp
8694

IP65 Long Tube pH pen 8693/8694/8695/8696

- 4 different shapes pH electrode for wide application
- Big and clear LCD provide real time pH and Temp. Display
- Measuring stability indicator
- One touch auto-calibration up to 3 points
- Calibration values are adjustable
- Storage bottle to keep sensor wet & last life time

NEW

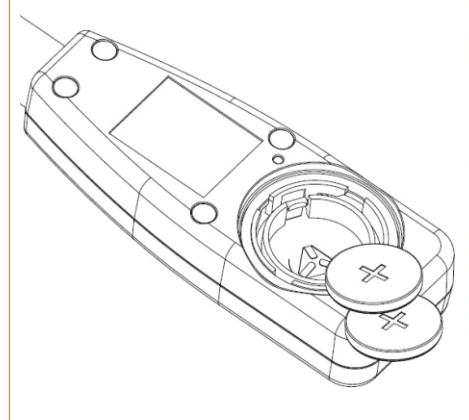


Surface
8695

6mm
8696

Designed for testing sample container with limited opening size

Install the battery with correct polarity:

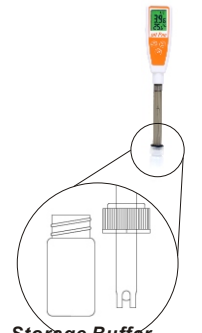
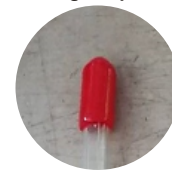


Ordering Code

- VZ8693AZ, 8693 long tube pH in glass electrode
- VZ8694AZ, 8694 long tube pH in sharp electrode
- VZ8695AZ, 8695 long tube pH in surface electrode
- VZ8696AZ, 8696 long tube pH in 6mm diameter



Storage cap of 8696



Storage Buffer
Bottle of 8693~8695

Model	8693	8694	8695	8696
Body Material	Glass	Glass	PC	Glass
Reference	Single, Ag/AgCl	Single, Ag/AgCl	Single, Ag/AgCl	Single, Ag/AgCl, refillable
Junction / Flow Rate	Ceramic	Fiber	Ceramic	Ceramic
Electrolyte	Gel, 3.3M KCL	Gel, 3.3M KCL	Gel, 3.3M KCL	Gel, 3.3M KCL
Tip Shape	Spheric	Sharp tip	Flat surface	Spheric
pH range	0.00~14.00	2.00~12.00	2.00~12.00	0.00~14.00
pH accuracy	+/-0.1	+/-0.1	+/-0.1	+/-0.1
pH resolution	+/-0.01	+/-0.01	+/-0.01	+/-0.01
Temp. Sensor	Built-in	Built-in	Built-in	N/A
Probe Diameter(mm)	12 mm	12 mm	12 mm	6 mm
Probe Length(mm)	138mm	134mm	125mm	125mm
LCD size	29(H)x22.5(W)mm			
Operating temp.	0~80°C			
Operating RH%	Humidity<80%			
Storage temp.	-10~50°C			
Storage RH%	Humidity < 90%			
Sensor life time	>6 months (with good maintenance)			
Meter Dimension	94(L)x36(W)x20(H)mm			
Weight	115g			
Battery	CR2032 x 2pcs			
Standard Package	Meter/Battery/Manual/Paper box			
Application	Laboratory general purpose	dairy, meat, milk, semi-solid foods, yogurt	agar plates, food, leather, paper, skin	test tubes, vials

